



MS1633 FocusBT™

FocusBT™ is the hand-held area imager that surpasses all wireless 2D scanners by combining Bluetooth® connectivity with aggressive FirstFlash™ scan performance.

Perfect for solving retail and supply-chain management applications, this omnidirectional scanner combines the freedom of Bluetooth V1.2 mobility with many qualities already found in the popular Focus MS1690. FocusBT is also great for healthcare data-capture applications.

Regardless of orientation, FocusBT's FirstFlash technology decodes all standard bar codes in a single flash, including 1D, 2D, RSS, PDF417, microPDF, EAN/UCC Composite, Matrix and Postal Codes.

FocusBT features Metrologic's patented CodeGate® and RangeGate® technology.

CodeGate® technology zeros in on the required

code and then easily completes data transmission with the push of a single button.

With RangeGate®, FocusBT scans and stores hundreds of bar codes when outside of the host system communication range. When the connection is re-established, the stored scans are automatically downloaded to the host.

For image-capture applications, FocusBT combines a high-resolution CMOS sensor with a powerful processor which enables a wide array of outputs.

In addition to automatic infrared object detection, FocusBT comes equipped with several power-save modes, a USB Bluetooth adaptor and two rechargeable lithium-ion batteries. Each battery provides 12 hours of scanning or approximately 9,000 scans per charge.

www.metrologic.com

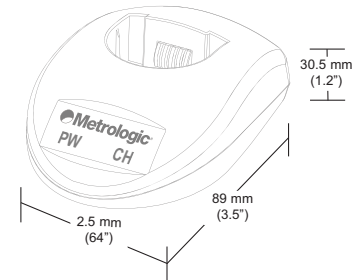
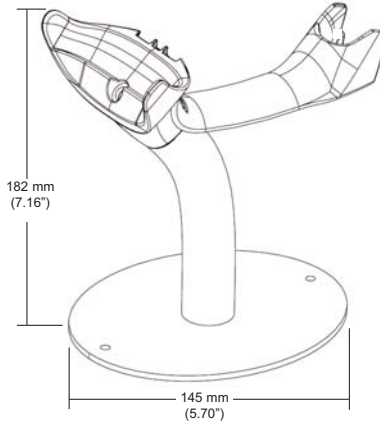
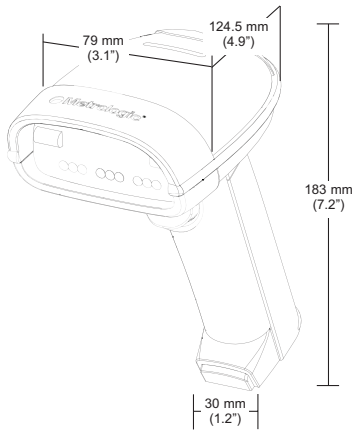


FEATURES

- FirstFlash™
- Omnidirectional scanning
- Removable li-ion battery pack
- USB Bluetooth adaptor
- Powersave modes/power switch

BENEFITS

- Increases productivity-scans nearly every standard bar code on first LED flash
- Eliminates need to orientate hand-held area imager to bar code
- Easily remove and replace battery packs without using tools-remote charging for 24/7 scanning
- Cable-free adaptor simultaneously enables Bluetooth compatibility for host system and up to 7 other Bluetooth devices
- Both conserve battery life and extend uptime



OPERATIONAL

Light Source	LED 645 nm ± 7.5 nm
Decode Capability	Autodiscriminates all standard 1-D, RSS, PDF417, microPDF, MaxiCode, Data Matrix, QR Code, UCC, EAN Composites, Postals, Aztec
System Interfaces	Bluetooth v1.2
Beeper Operation	7 tones or no beep
Indicators (LED)	Blue Steady=unit powered, ready to scan, Bluetooth connected; White=good read; Yellow Steady=in stand
Battery Indicator (LED)	Blue=unit powered

MECHANICAL

Height	183 mm (7.2")
Depth	124.5 mm (4.9")
Width	Handle - 30 mm (1.2"); Head - 79 mm (3.1")
Weight	290 g (10.23 oz)

ELECTRICAL

Input Voltage	5VDC < 1A
Recharge Time	6 hours
Battery Capacity	9,000 scans (average)
Radio Range	Bluetooth Class 2 - 10 m (33')
Frequency	2.4 - 2.48 GHz (frequency hopping)
Battery Type	Li-ion
DC Transformers	Scanner: none; Base: Class 2; 5VDC < 1A
EMC	FCC Class A, IEC60825-1 LED Safety
ESD Protection	Functional after 100 15kV discharges
LED Class	Class 1; IEC60825-1:1993/A1:1997 + A2:2001 Class 1; EN60825-1:1994/A11:1996 + A2:2001

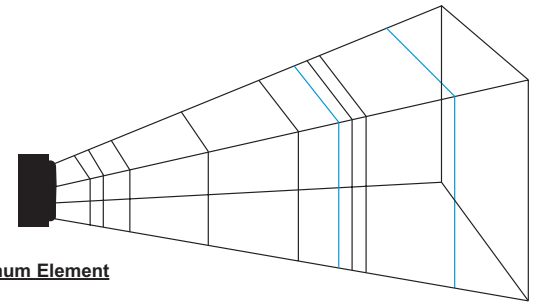
ENVIRONMENTAL

Operating Temperature	0°C to 40°C (32°F to 104°F)
Storage Temperature	-20°C to 50°C (-4°F to 120°F)
Humidity	0% to 95% relative humidity, non-condensing
Light Levels	Up to 190,000 Lux (17,670 footcandles)
Shock	Designed to withstand 1.5 m (5') drops
Contaminants	Sealed to resist airborne particulate contaminants

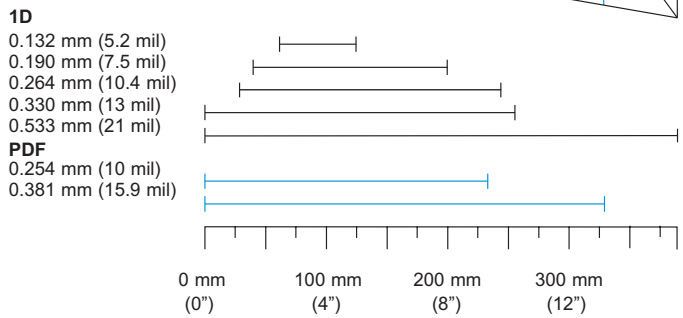
SCAN PERFORMANCE

Depth of Field (programmable)	0 mm - 254 mm (0" - 10") for 0.33 mm (13 mil) bar codes
Field of View	49 mm W x 19 mm H (1.9" W x 0.8" H) @ 20 mm (0.8"); 264 mm W x 106 mm H (10.4" W x 4.2" H) @ 280 mm (11")
Minimum element width, 1D	0.127 mm (5 mil)
Minimum element width, 2D	0.254 mm (10 mil)
Resolution	1280 x 512
Print Contrast	20% minimum reflectance difference
Pitch, Skew	75°, 75°

Scan Area



Bar Code Minimum Element



Product Colors Available



MS1633 is available in a variety of other colors with minimum quantity purchase



Sunrise 2005 Compliant



www.metrologic.com

ISO 9001:2000

Metrologic Instruments, Inc. | **Worldwide Headquarters**
90 Coles Road | Blackwood, NJ 08012-4683 | info@metrologic.com
Telephone 856-228-8100 | Fax 856-228-6673

Asian Headquarters
Tel. 65.6842.7155
info@sg.metrologic.com

European Headquarters
Tel. 49.89.89019.0
info@eu.metrologic.com

The Americas Headquarters
Tel. 1.800.ID.METRO
info@us.metrologic.com

Specifications subject to change without notice.
Printed U.S.A., Copyright December 2006
Metrologic, All rights reserved.



DS1633